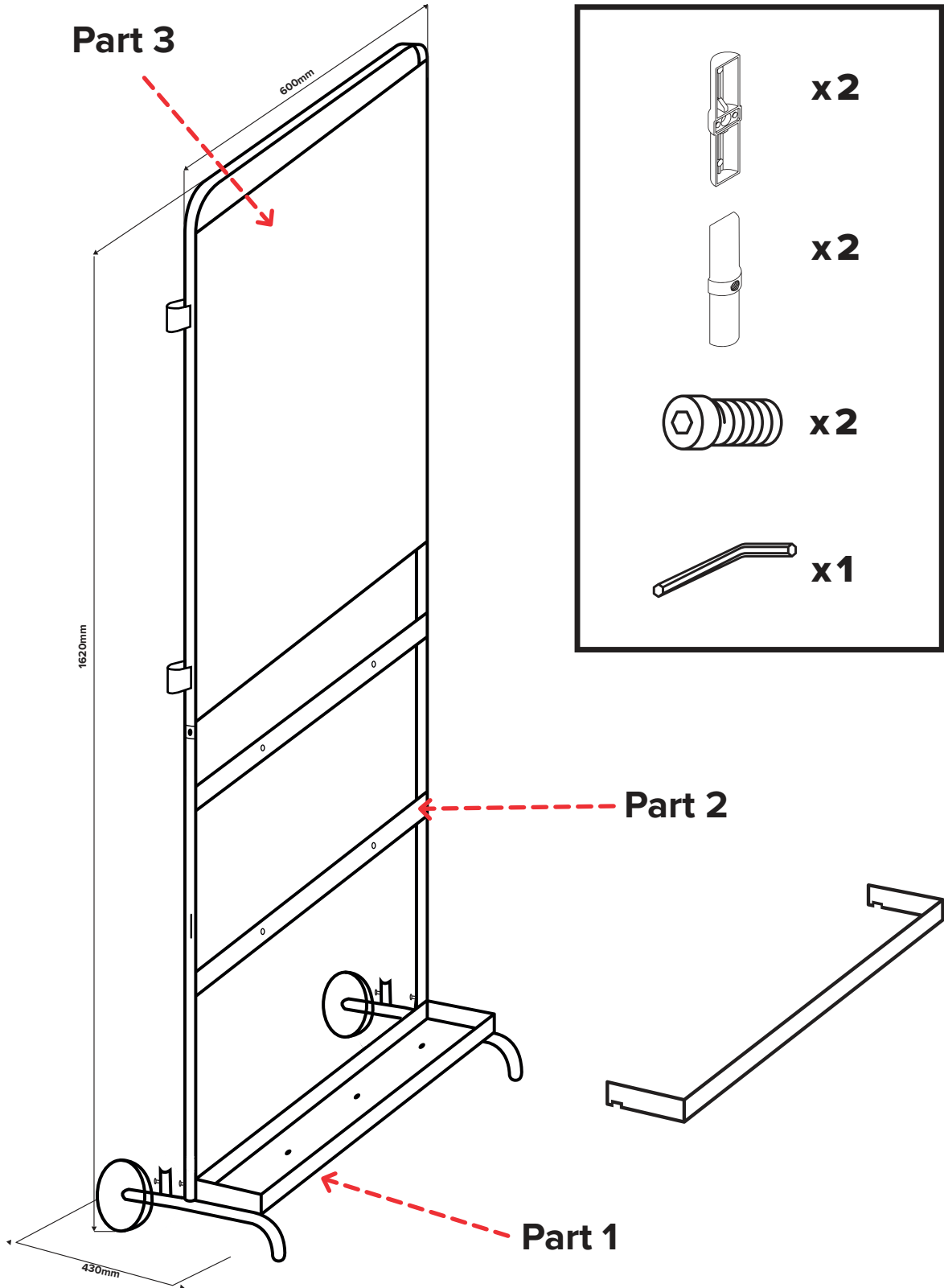
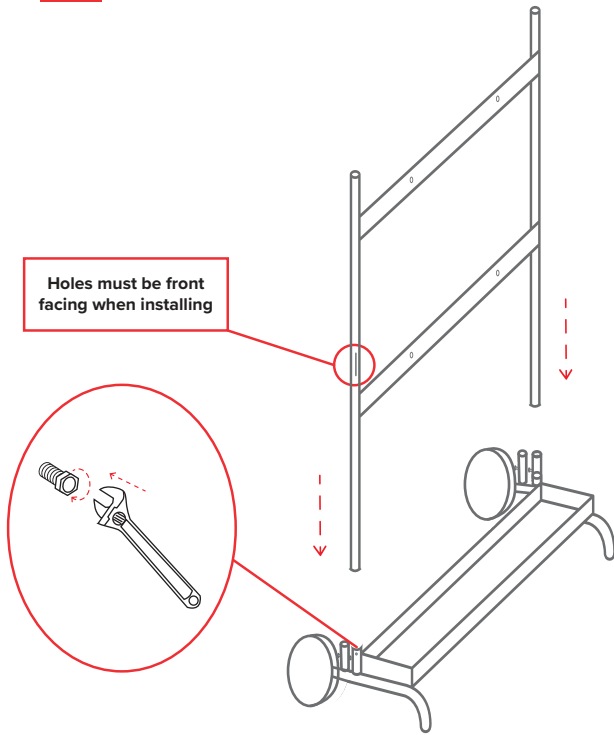


# CON-STD-01

## Assembly Guide

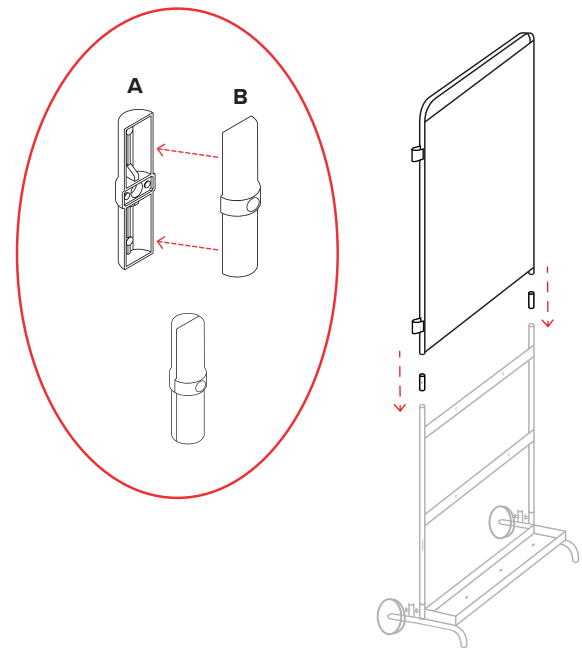


## Assemble Lower Section



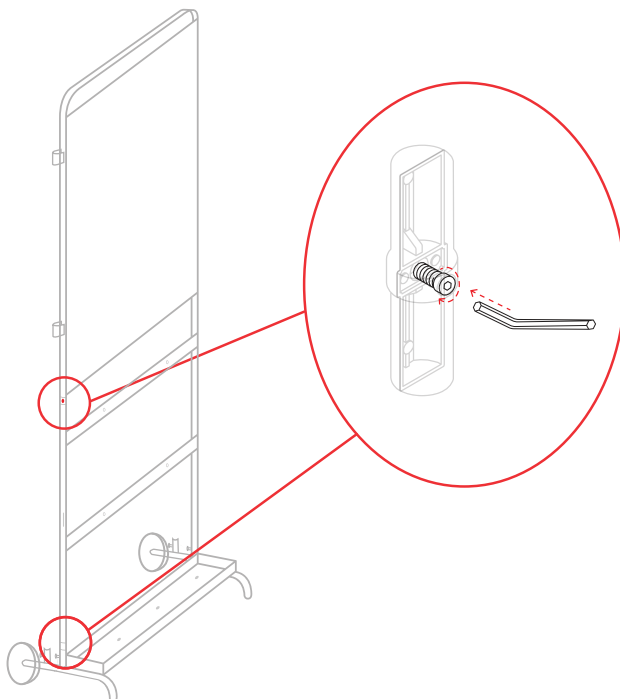
1. When putting together **Part 2** into **Part 1**, ensure that the holes on **Part 2** are front facing.
2. Place **Part 2** into **Part 1**. Tighten the bolts at the bottom of **Part 1** using a spanner.

## Assemble Upper Section



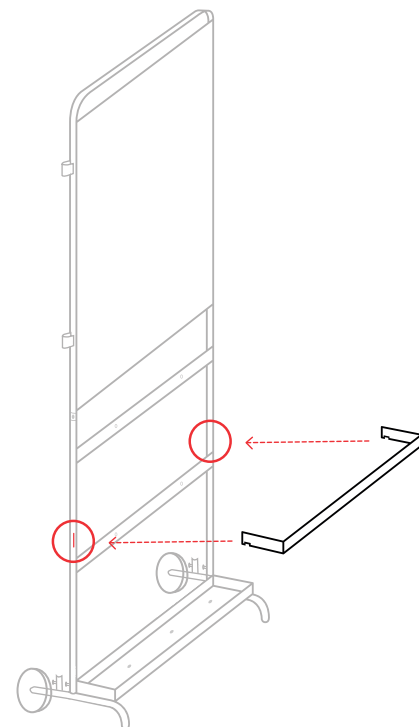
3. Take **Part A** and **Part B** and together, place them into each side of part 2.
4. Place **Part 3** over the expanders onto **Part 2**.

## Secure Sections



5. Once all parts are in position, tighten all expanders (**A+B**) with an allen key to secure the complete frame.

## Assemble Upper Section



6. Optional – hook the fire extinguisher protector frame into either side of **Part 1**.